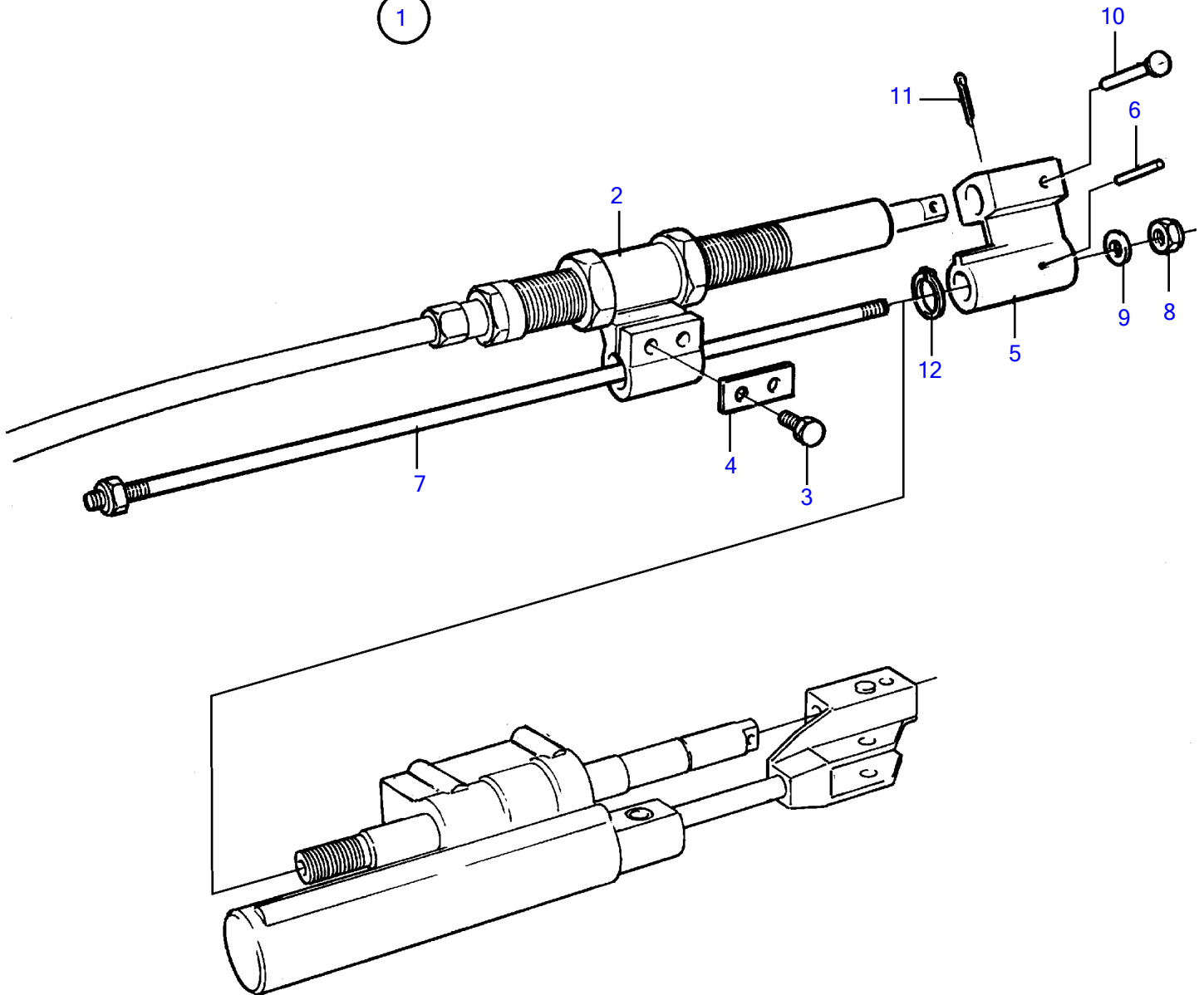


AD31L-A, AD31P-A, AD41L-A, AD41P-A, D41L-A, TAMD31L-A, TAMD31M-A, TAMD31P-A, TAMD31S-A, TAMD41H-A, TAMD41H-B, TAMD41P-A, TAMD41L-A, TAMD41M-A, TMD31L-A, TMD41L-A

1



AD31L-A, AD31P-A, AD41L-A, AD41P-A, D41L-A, TAMD31L-A, TAMD31M-A, TAMD31P-A, TAMD31S-A, TAMD41H-A, TAMD41H-B, TAMD41P-A, TAMD41L-A, TAMD41M-A, TMD31L-A, TMD41L-A

REF	PART NO.	QTY	DESCRIPTION	NOTES
1	(872375)	1	Connector kit	Obsolete part
2		1	• Bracket	
3	955297	2	• Hexagon screw	
4	872445	1	• Lock washer	
5	(872378)	1	• End piece	Obsolete part
6	951979	1	• Spring pin	
7		1	• Rod	
8	966175	1	• Lock nut	
9	955900	1	• Washer	
10	(851382)	1	• Clevis pin	Obsolete part
11	964960	1	• Split pin	
12	914456	1	• Snap ring	